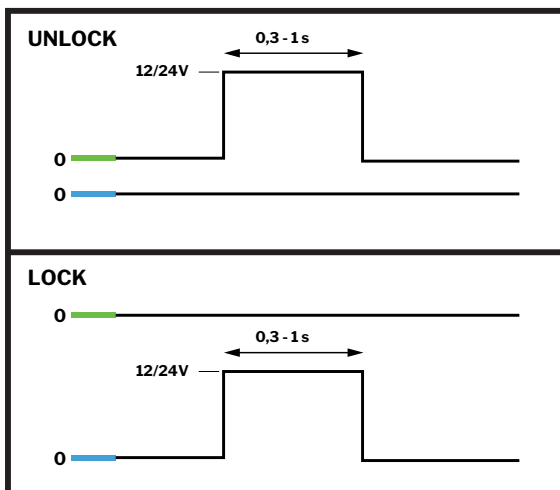
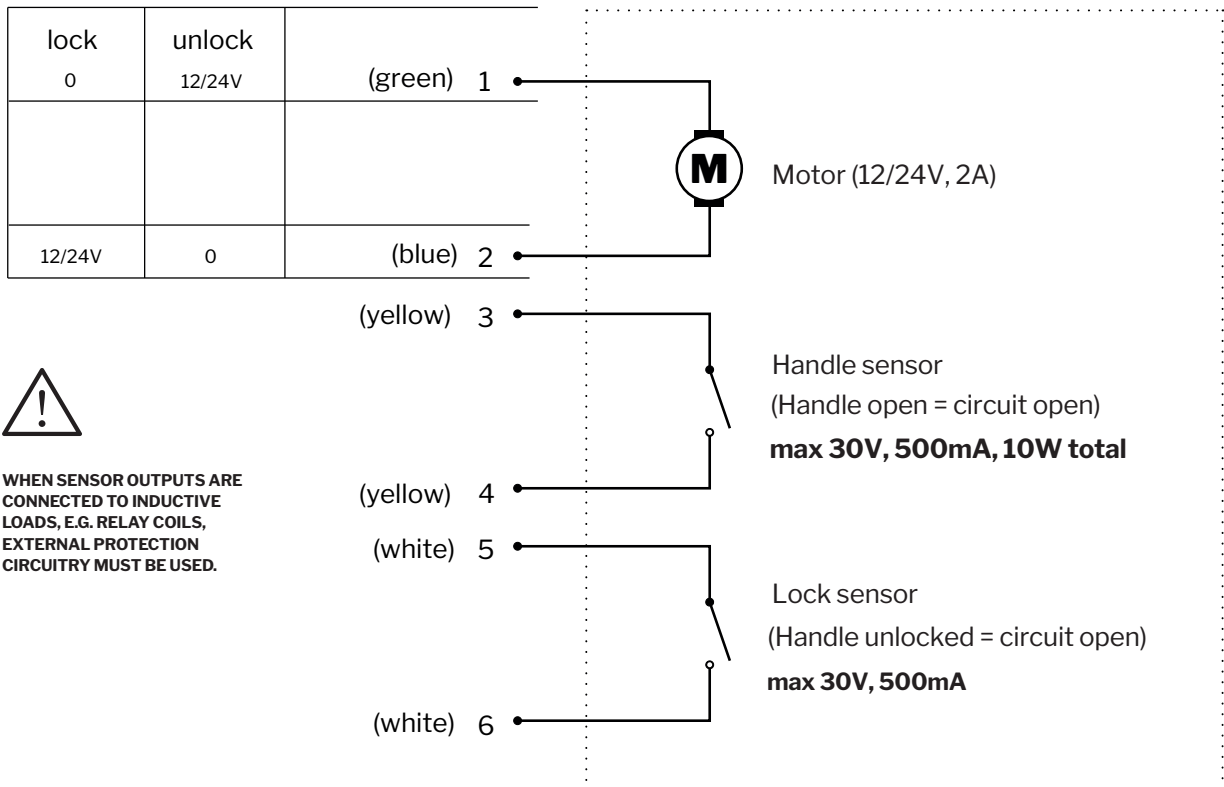


Industralas Vector™ T3 Installation Manual

Technical Specification	
Operating Voltage	2 models. 12 or 24V DC ± 10%
Supply Current (Lock/Unlock Operation)	max 2A
Handle status sensor	max 30V, 500mA, 10W total
Lock status sensor	max 30V, 500mA
EMC Standards	UN ECE R10
Operating temperature	-15 to +55 °C
Operating cycles	min 15,000 cycles
Maximum tightening torque (4 nuts, M5)	2,2 Nm

Wiring diagram

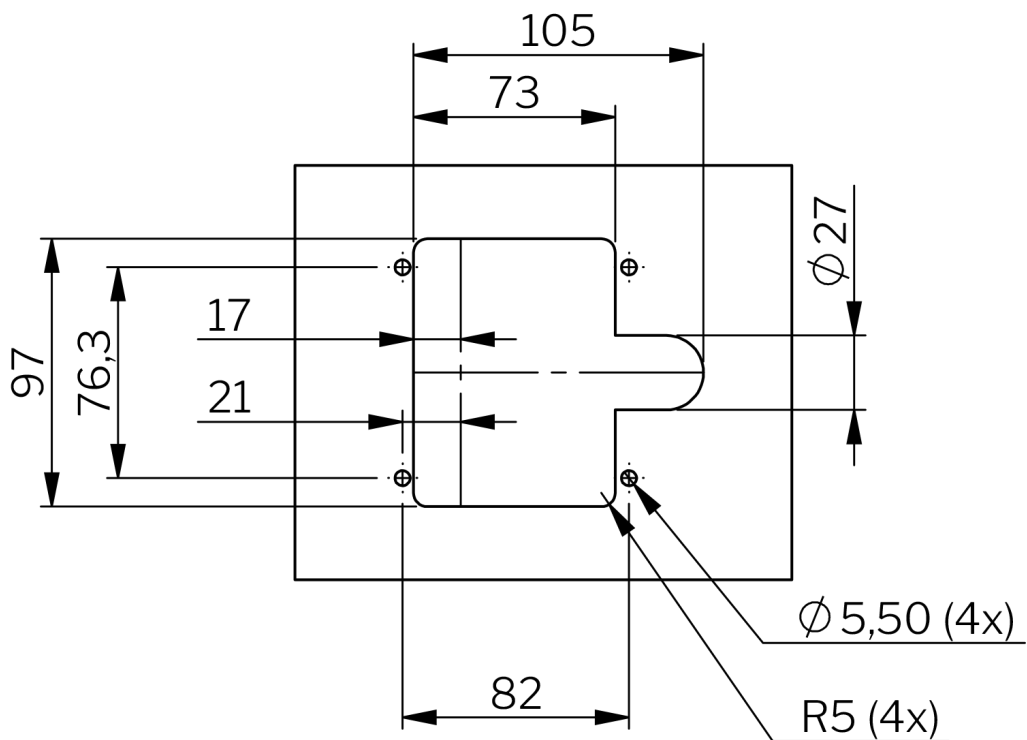
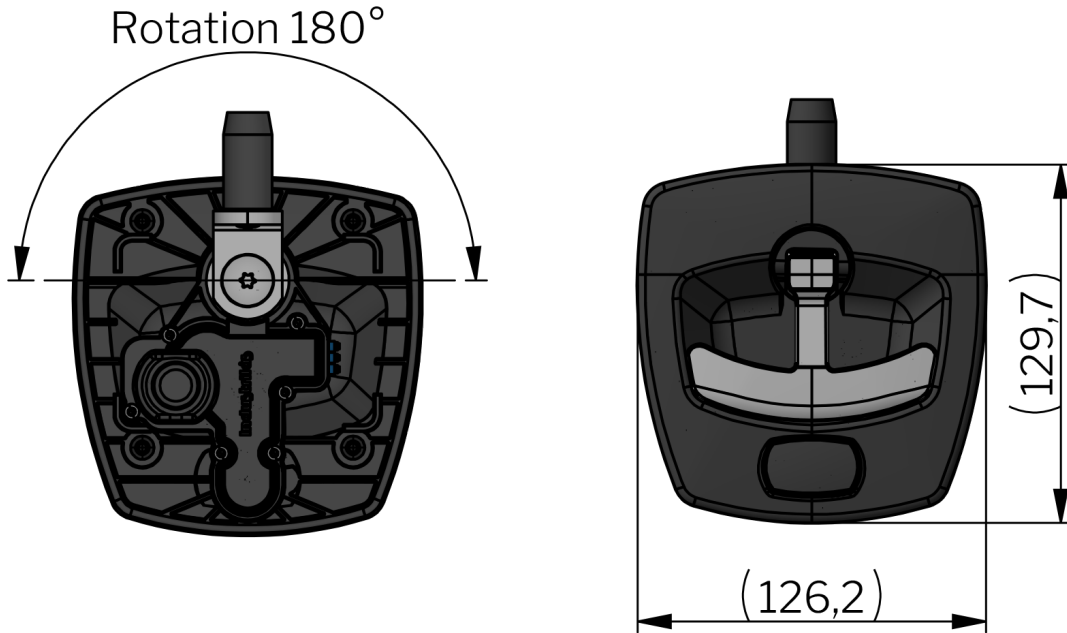
Lock/unlock impulse length 0.3 - 1.0 s



Graphic representation of electrical pulse

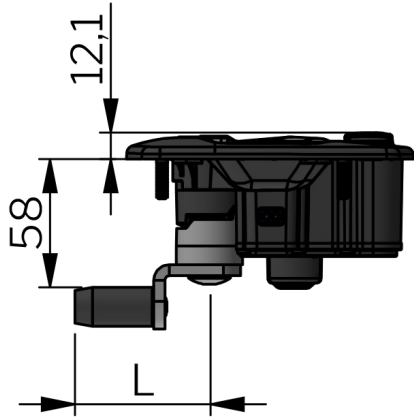
Industrilas Vector™ T3

(mm)

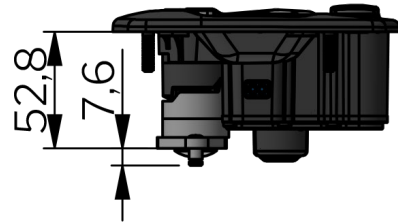


Industralas Vector™ T3

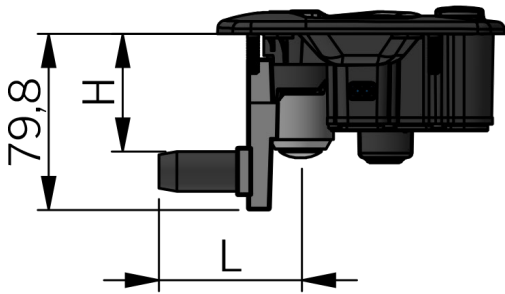
(mm)



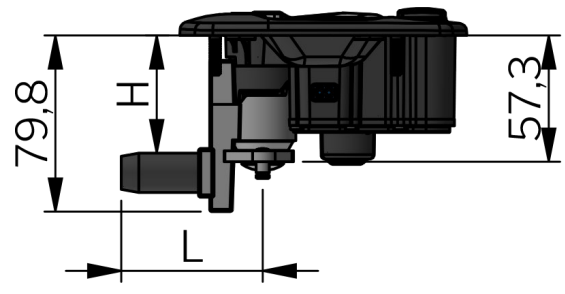
Fixed 1-point cam



Fixed 2-point cam



Adjustable 1-point cam



Adjustable 3-point cam